

Ultra Thin Speaker

Model: OST50R-9P2.0W8X



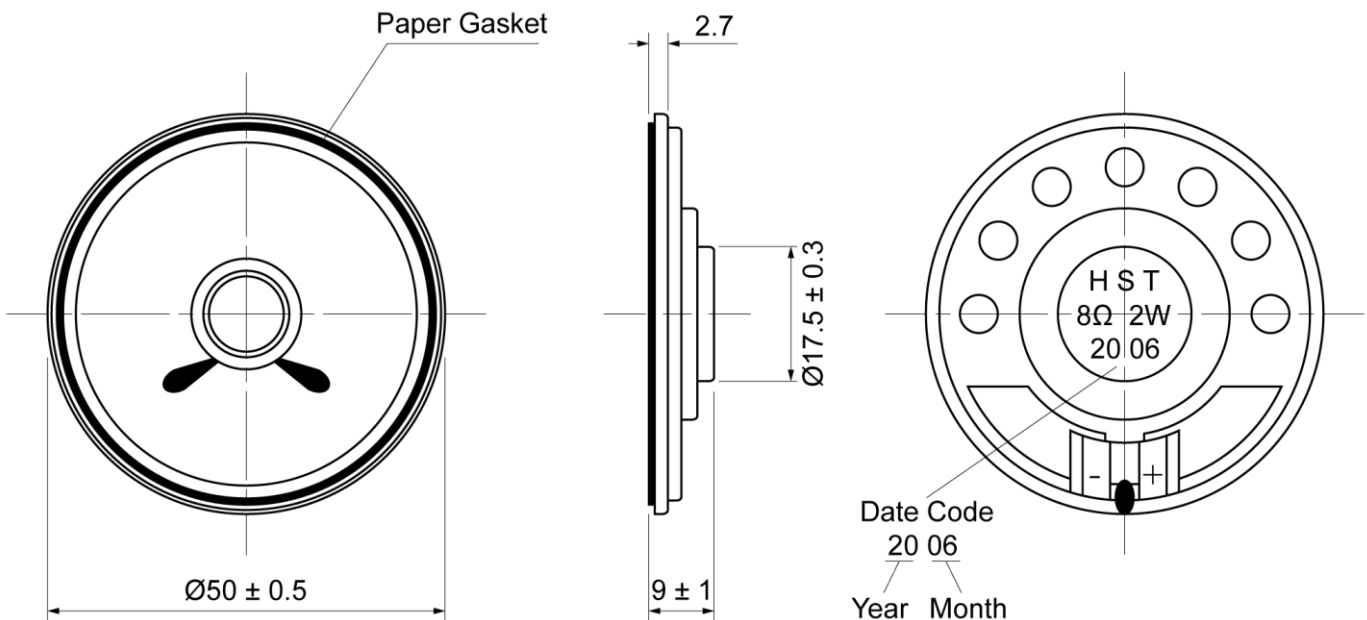
ELECTRICAL SPECIFICATIONS

	Condition	Parameter	Unit
Sound Pressure Level	at 0.1W, 0.1M [at 0.8, 1.0, 1.2, 1.5 KHz]	92 ± 3	dB
Impedance	at 1V, 800Hz	8 ± 15%	Ω
Rated Input Power		2	W
Max Input Power		2.5	W
Resonant Frequency (Fo)	at 1V	500 ± 20%	Hz
Frequency Range		Fo ~ 5000	Hz
Buzzer & Rattles	not be audible at sine wave between Fo ~ 7KHz	4	V
Operating Temperature		-30 ~ 75	°C
Magnet		Nd-Fe-B	
Frame Material		Metal	
Cone Material		Paper	
Weight		15	g

MECHANICAL DRAWING

Dimensions in mm

Tolerance ±0.5mm Except Specified



Ultra Thin Speaker

Model: OST50R-9P2.0W8X

FREQUENCY RESPONSE CURVE

